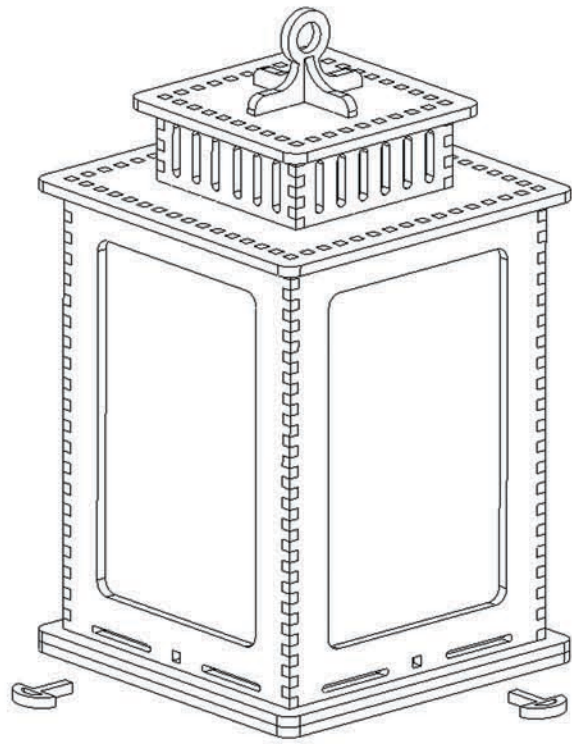
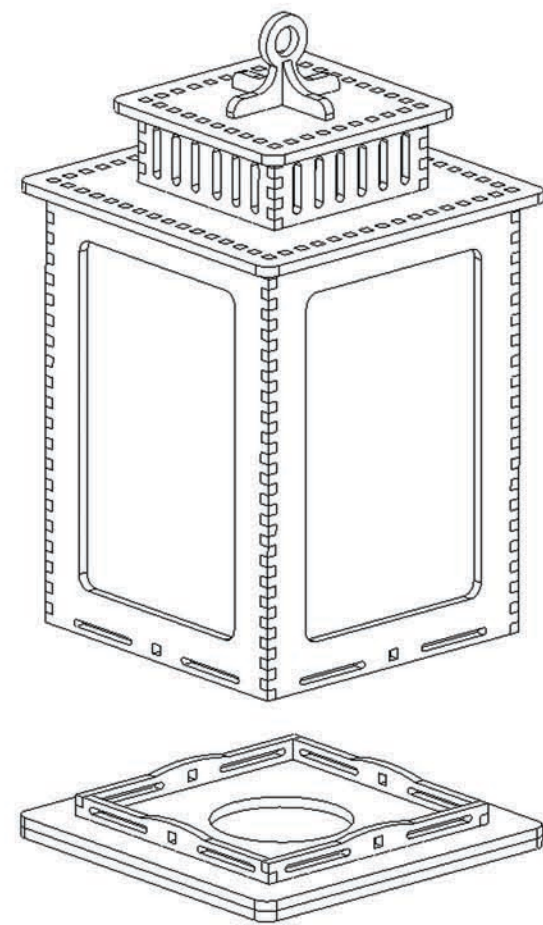


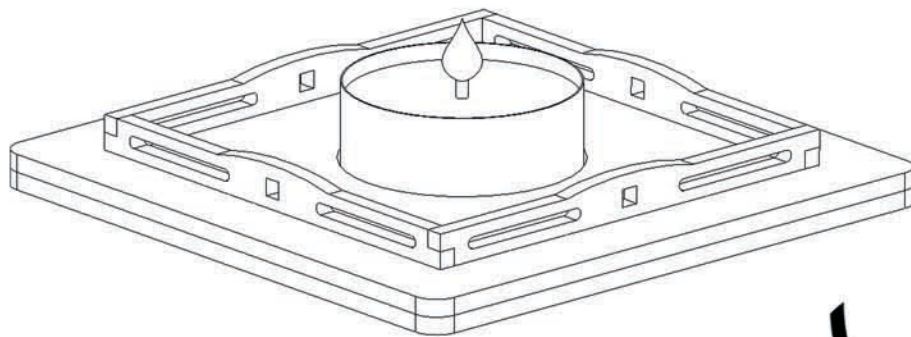
Changing The Candle In A Lantern



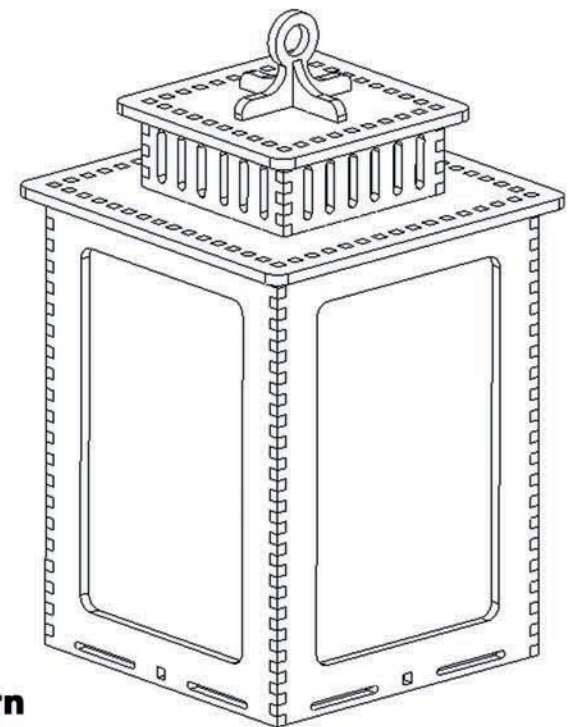
1. Take out the small pins from all four sides of the lantern.



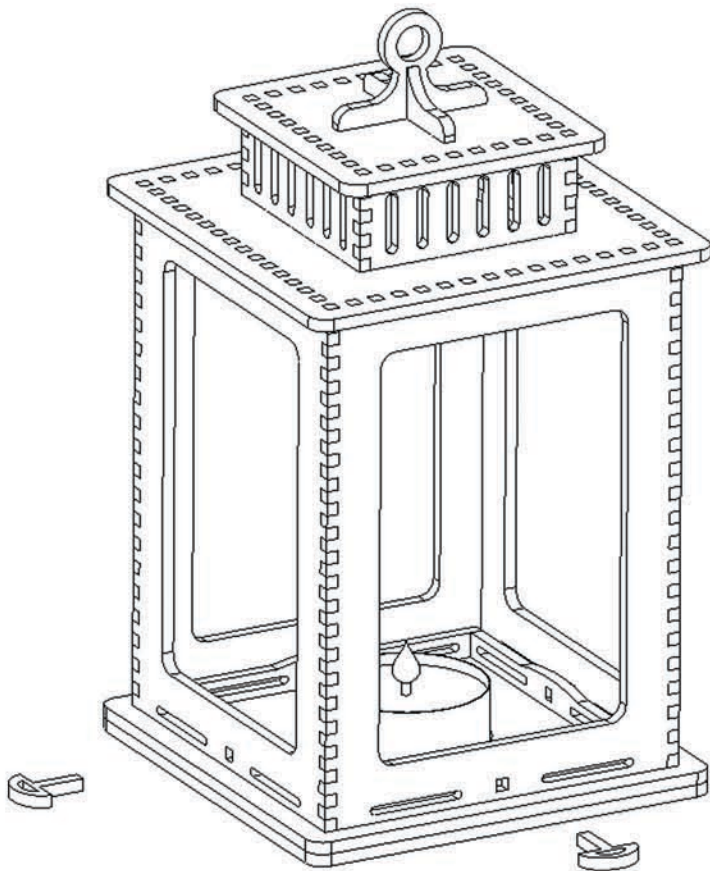
2. Lift the lantern from the base and put to one side.



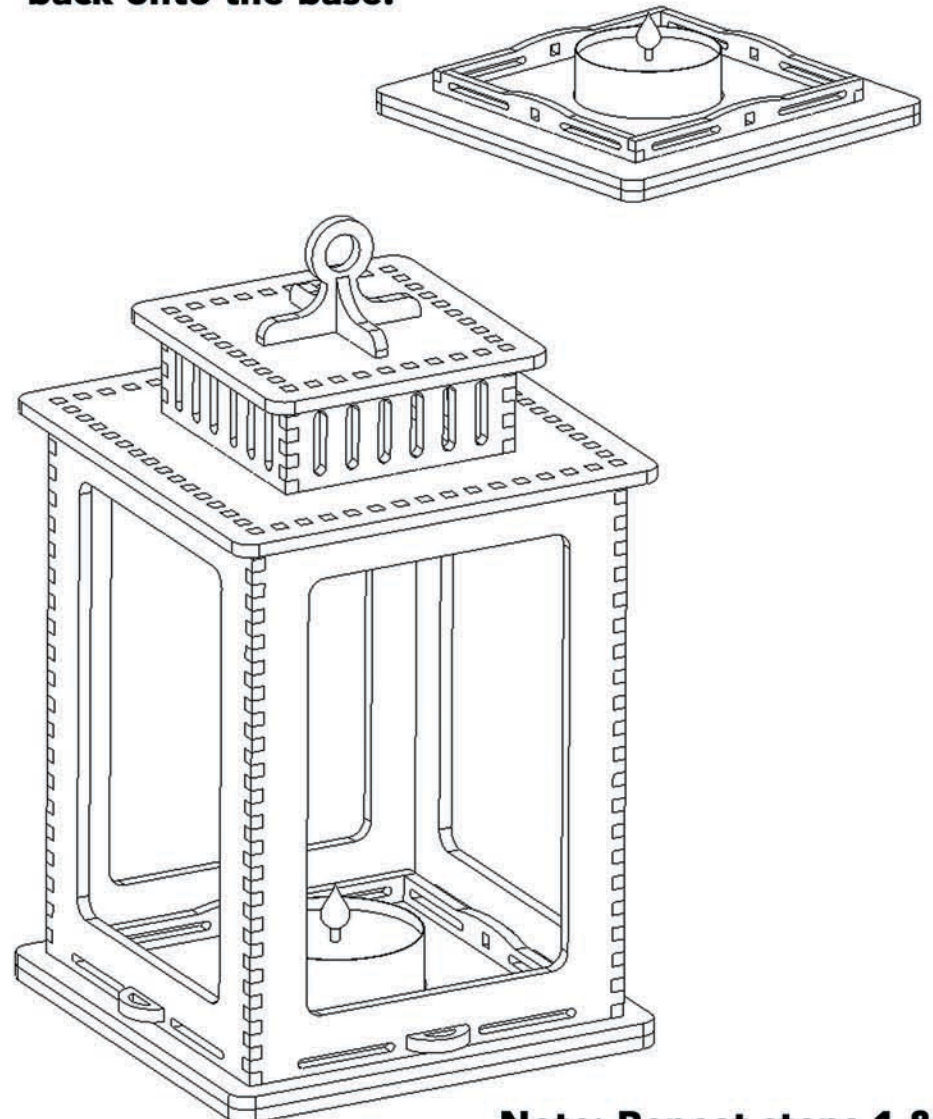
3. Place your tea light or electric candle in the centre of the base.



4. Slide the lantern back onto the base.



5. Re-insert the pins on all four sides of the lantern.



Note: Repeat steps 1 & 2 to access flame and extinguish.